

**Description**

These series range of three phase filter is designed for higher Current rating for application in PV systems and Power Drive applications with superior attenuation performance needed to fulfill EMC Standards.

**Features**

- General Purpose
- High Current rating
- Superior Performance
- Bus bar Terminals
- Available with Protective Cover

**Applications**

- CNC Machines
- AC/DC Drives
- Convertors
- Elevators
- HVAC

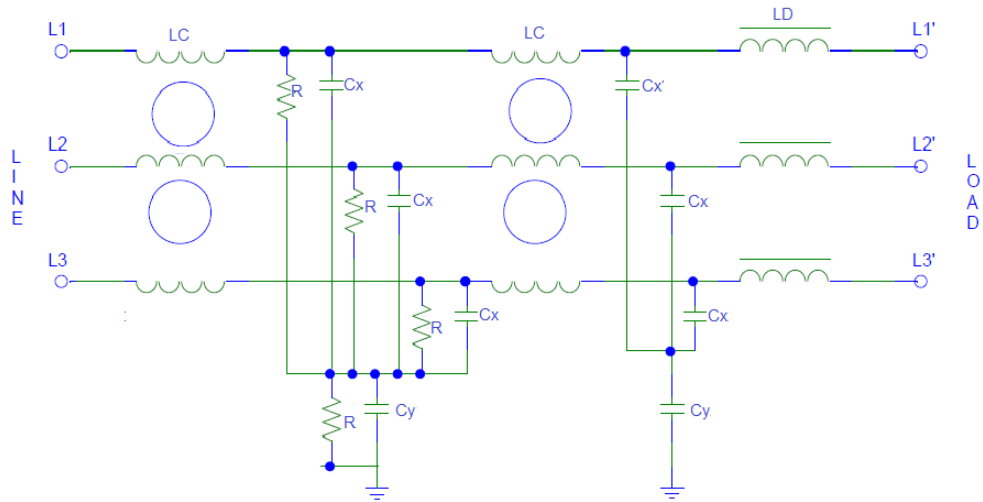


**Approvals & Compliance**

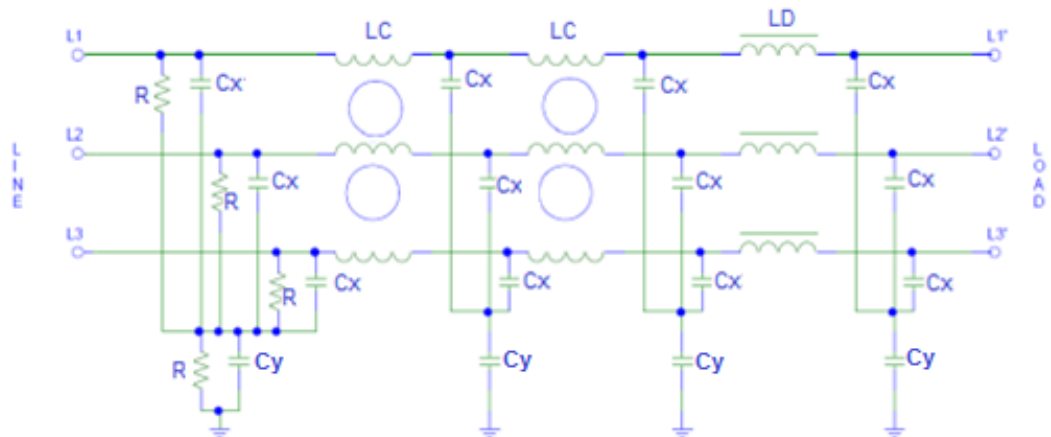


**Typical circuit Diagram**

**300A to 600A**



**700A to 1000A**



*Image shown above is just for reference*

## Technical Specifications

Maximum Continuous Operating Voltage	: 440/520VAC
Operating Frequency	: 50/60Hz
Current ratings	: 300A to 1000A @40°C
High Potential test voltage	: L to G 2660Vdc for 1 Minute L to L 1950Vdc for 1 Minute
Overload Capability	: 135% of Rated current for 15 minutes
Design Corresponding to	: UL 60939-3, CSA 22.2 No.8-13 and IEC 60939
Flammability corresponding to	: UL 94 V-0
Temperature range	: -25°C to +85°C
Climatic Category	: 25/85/21
Enclosure Material	: Aluminium

## Selection Table

Part Number	Ordering Code (for 440VAC)	Rated Current @40°C	Termination 	Weight (Kgs)
MF423 3 3D BB	S33D00300BB	300A	Bus Bar – 25x6mm	18
MF423 3 3D BB	S33D00320BB	320A	Bus Bar – 25x6mm	18
MF423 3 3D BB	S33D00400BB	400A	Bus Bar – 25x6mm	18
MF423 3 3D BB	S33D00450BB	450A	Bus Bar – 25x6mm	18
MF423 3 3D BB	S33D00500BB	500A	Bus Bar – 25x10mm	21
MF423 3 3D BB	S33D00550BB	550A	Bus Bar – 25x10mm	21
MF423 3 3D BB	S33D00600BB	600A	Bus Bar – 25x10mm	21
MF423 3 3D BB	S33D00700BB	700A	Bus Bar – 40x10mm	26
MF423 3 3D BB	S33D00800BB	800A	Bus Bar – 40x10mm	26
MF423 3 3D BB	S33D01000BB	1000A	Bus Bar – 40x10mm	26

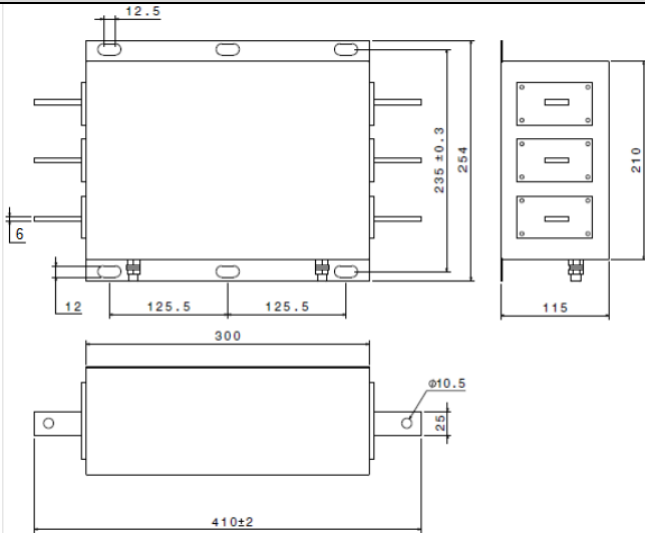
**Note:** Kindly replace 00 by 52 for 520VAC in the above mentioned Ordering Code.

[Ex: S33D52300BB for 300A 520VAC]

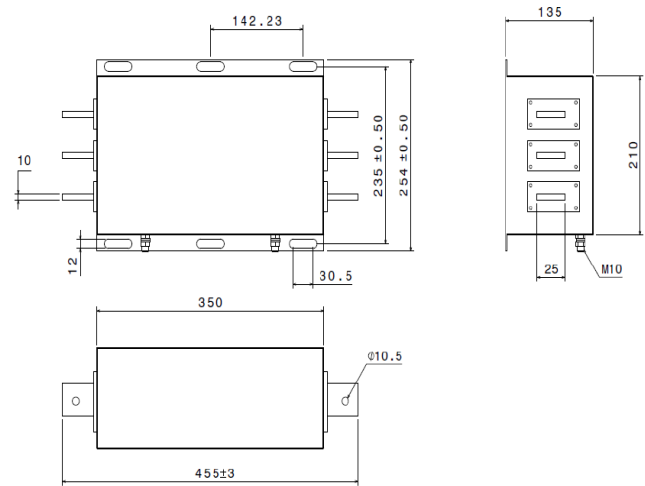
\*For 1000A ordering code will be S33D51000BB (for 520VAC)

\* **Filters with 520VAC not covered under NEMKO.**

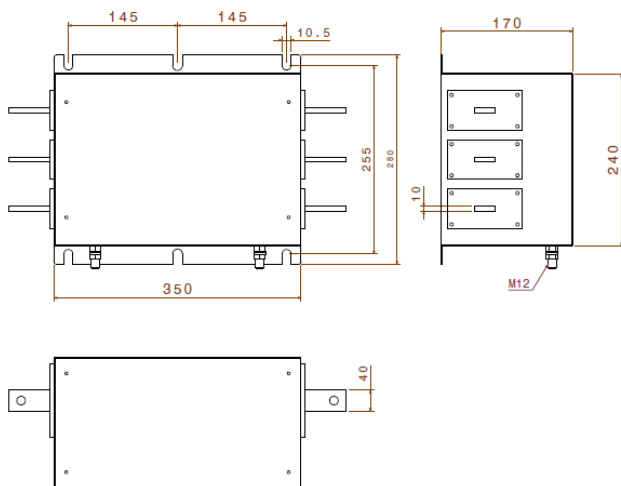
## 300A to 450A



## 500A to 600A

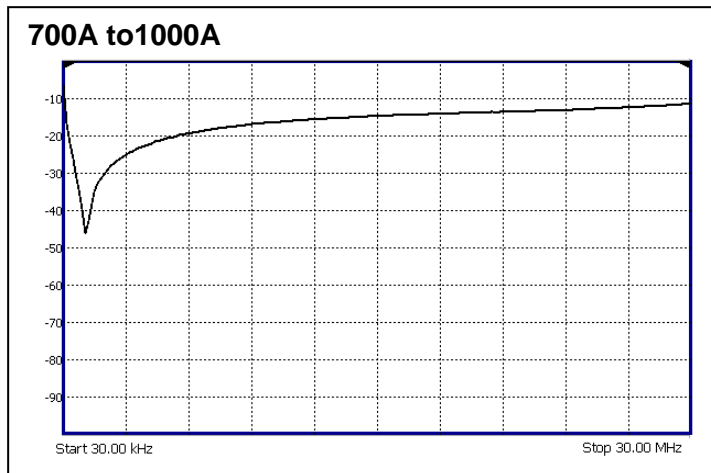
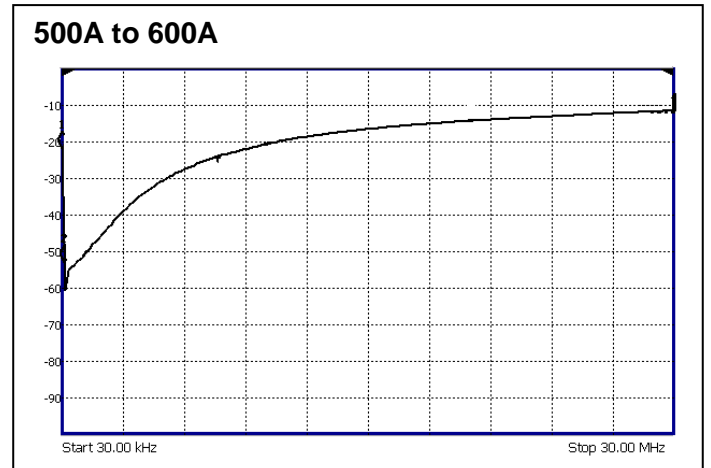
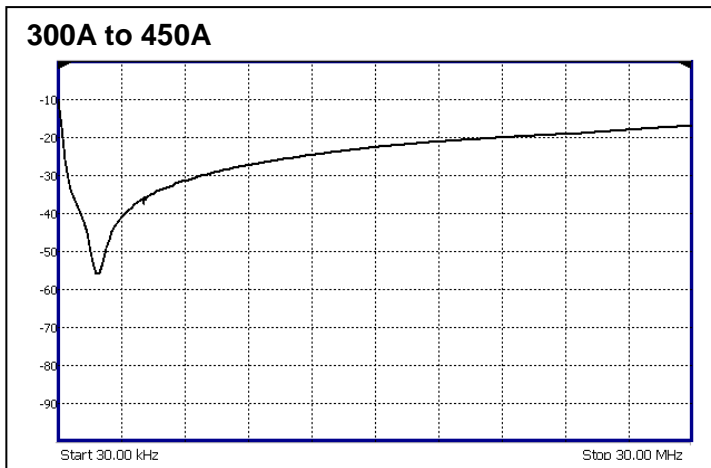


## 700A to 1000A



All dimensions in mm; Tolerances according to ISO2768-m

# Insertion Loss



**EMI Solutions Private Ltd**  
#237-A5, Bommasandra Industrial Area, Bangalore-560099,  
Marketing: +91 80 27836880, Email: [marketing@emisindia.com](mailto:marketing@emisindia.com)