

Data Sheet

Three Phase EMI Filter –Book Shelf Type MF423 3 2D BS



Description

These series range of three phase filters with book shelf design is designed for motor drive applications requiring minimum space and convenient installation with superior performance at significant interference levels.

Features

- 3 Phase filters for drives/invertors
- Compact/Light Weight/Cost Effective
- Bookshelf Design
- 7A to 150A Current rating



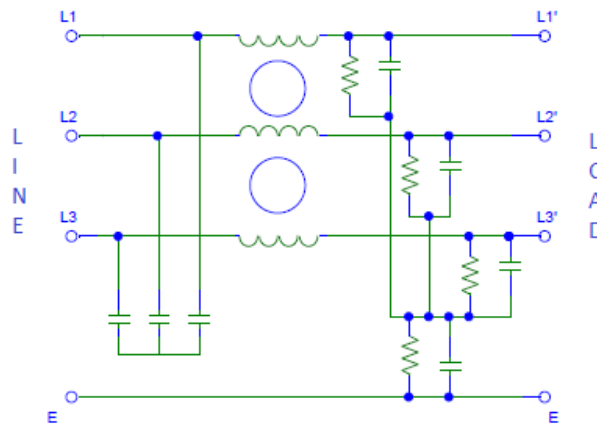
Applications

- AC/DC Drives
- Generator
- Wind Turbine
- Fuel Cells
- Elevators

Approvals & Compliance




Typical circuit Diagram



Technical Specifications

| | |
|--------------------------------------|--|
| Maximum Continuous Operating Voltage | : 440/520VAC |
| Operating Frequency | : 50/60Hz |
| Current ratings | : 7A to 150A @40°C |
| High Potential test voltage | : L to G 2660Vdc for 1 Minute L to L 1950Vdc for 1 Minute |
| Overload Capability | : 135% of Rated current for 15 minutes |
| Design Corresponding to | : UL 60939-3, CSA 22.2 No.8-13 and IEC 60939 |
| Flammability corresponding to | : UL 94 V-0 |
| Temperature range | : -25°C to +85°C |
| Climatic Category | : 25/85/21 |
| Enclosure Material | : Aluminium |

Selection Table

| Part Number | Ordering Code (for 440VAC) | Rated Current @40°C | Termination  | Weight (Kgs) |
|---------------|-------------------------------|------------------------|--|-----------------|
| MF423 3 2D BS | S32DBS0007C | 7A | 41 | 0.7 |
| MF423 3 2D BS | S32DBS0016C | 16A | 41 | 0.8 |
| MF423 3 2D BS | S32DBS0030C | 30A | 41 | 0.8 |
| MF423 3 2D BS | S32DBS0042C | 42A | 10 | 1.2 |
| MF423 3 2D BS | S32DBS0055C | 55A | 10 | 2 |
| MF423 3 2D BS | S32DBS0075C | 75A | 16 | 2 |
| MF423 3 2D BS | S32DBS0100C | 100A | 25 | 3 |
| MF423 3 2D BS | S32DBS0120C | 120A | 50 | 4 |
| MF423 3 2D BS | S32DBS0150C | 150A | 50 | 4 |

Note: Kindly replace 00 to 52 for 520VAC in the above mentioned ordering code for upto 75A.

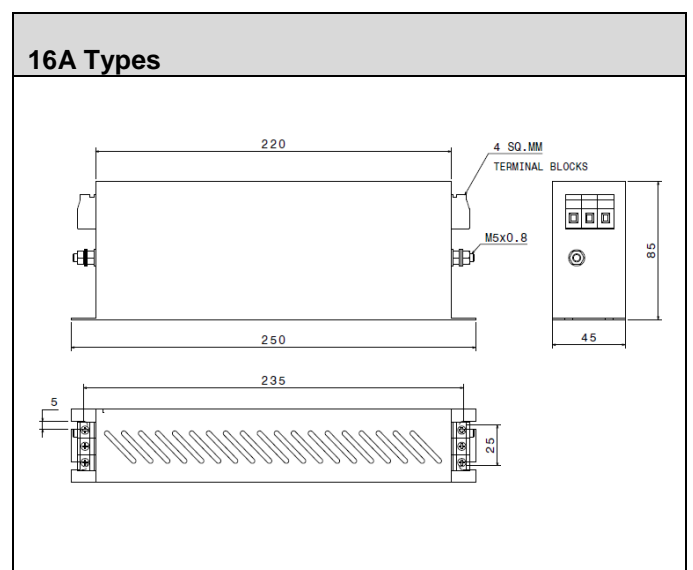
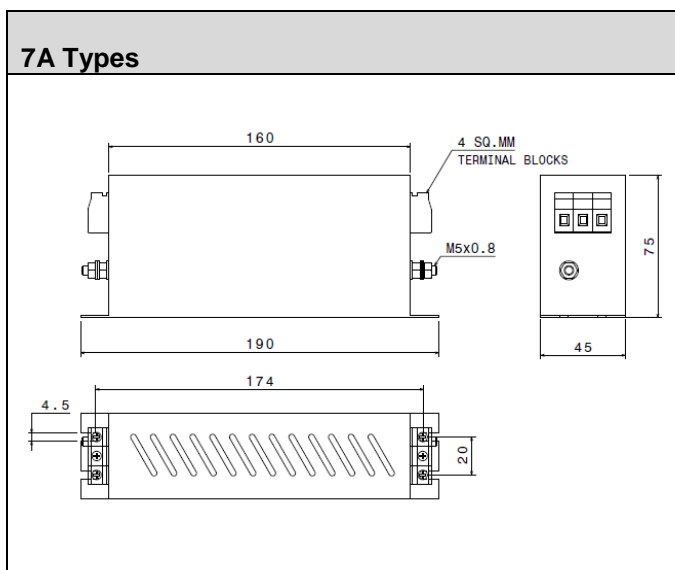
[Ex: For 7A 520VAC – S32DBS5207C]

For 100A & above kindly replace 0 by 5 for 520VAC.

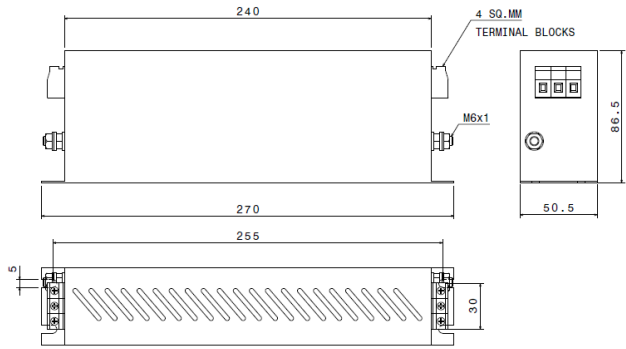
[Ex: S32DBS5100C for 520VAC]

***Filters with 520VAC are not covered under NEMKO**

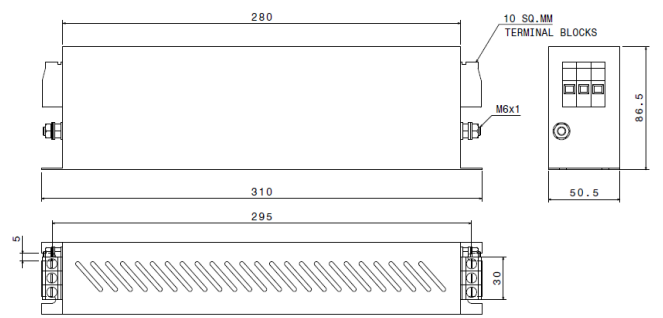
Mechanical Drawing



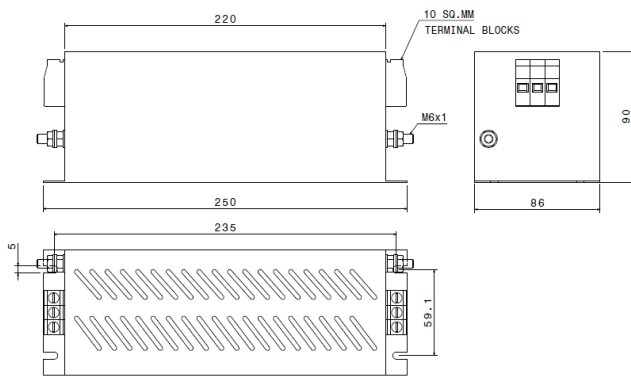
30A Types



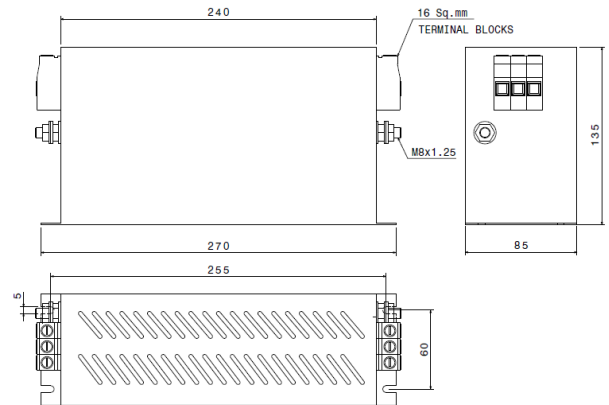
42A Types



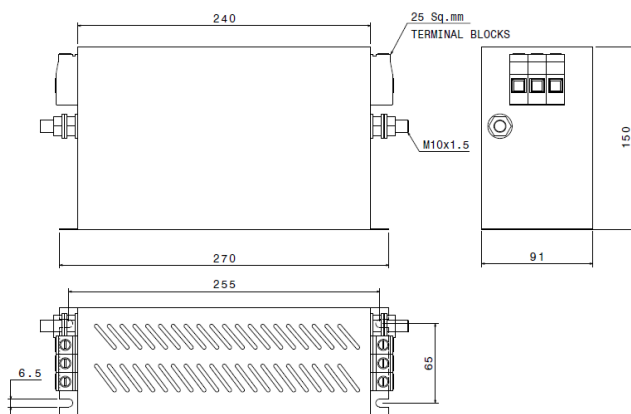
55A Types



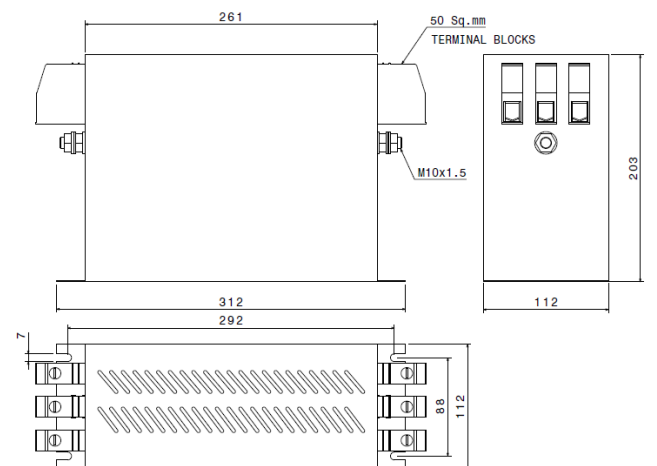
75A Types



100A Types




120A/150A Types



All dimensions in mm; Tolerances according to ISO2768-m

Connectors Cross Sections

|  | 41 | 10 | 16 | 25 | 50 |
|---|---------------------|----------------------|---------------------------|--------------------|--------------------|
| Wire Section (mm ²) | 4mm ² | 10 mm ² | 16 mm ² | 25 mm ² | 50 mm ² |
| Wire Section (AWG) | 12AWG | 8 AWG | 6 AWG | 4 AWG | 1/0 AWG |
| Wire Stripping | Max 10mm | max 13.5 mm | max 17 mm | max 17 mm | max 20 mm |
| Max Recommended Torque | 0.5 Nm / 4.5 in.lbs | 1.2 Nm / 10.8 in.lbs | 2÷2.2 Nm / 18÷19.8 in.lbs | 2 Nm / 18 in.lbs | 6 Nm / 54 in.lbs |

Insertion Loss – (Common Mode)

