

Ethernet RJ 45 EMP Surge Protector

Description

Ethernet EMP Surge Protectors are designed to meet all the requirements of MIL –STD-188-125-1 and IEC 61000-6-2. These Filter are classified under unrestricted lines of Intrasite of MIL STD- 188-125-1 of Data and Tested for the same. The Filters also meets the insertion loss requirements. Provide protection at every pairs. The Filters are designed in the bulk head which gives complete isolation between unprotect and protected sides. MIL circular connector are provided at the input side of the Filters which helps in easy termination and protection as well.

Applications

- Defence Equipment.
- Shielded Rooms
- Data Lines.

Features

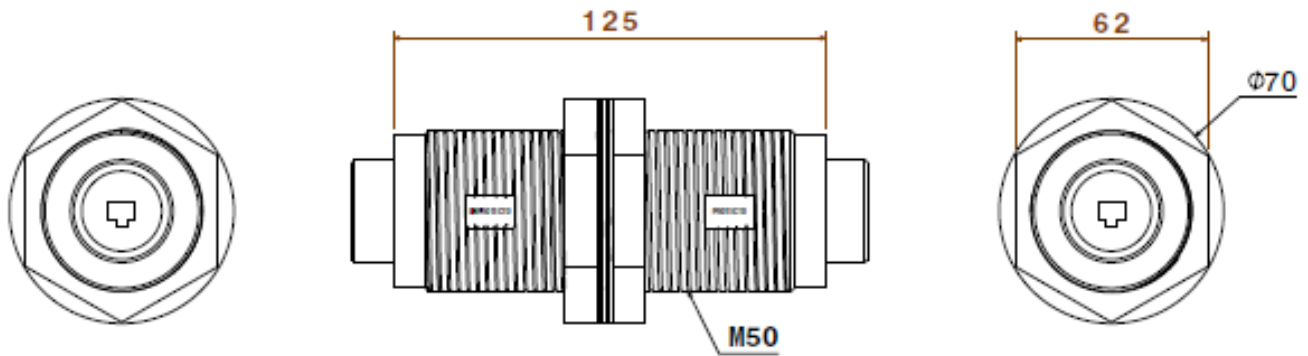
- Very easy to Install
- Very Compact.
- Models with various data rate is available



Technical Specifications

Rated Voltage	: ± 3VDC peak signal voltage between Wire Pairs 1-2, 3-6, 4-5 and 7-8.
Data Rate	: 10/100/1000 Mbps
Design Corresponding to	: MIL-STD-188-125-1&2 (E1 & E2 Pulse) , E1: Input 1.8kA, Residual: <2.5A E2: Input 250A, No Damage IEC 61000-6-2
Enclosure Size	: 125 mm x 50 mm (L x Dia)
Input Connection	: RJ45 Female circular connector
Output Connection	: RJ45 Female circular connector
Enclosure	: Brass with Nickel Plated
Weight	: 2kg (Approx.)

Mechanical Dimensions



Deliverables:

1. Mating Connector - 2 Nos
2. Gasket - 2 Nos
3. Fasteners: Nut and Washers - 2 Each

EMI Solutions Private Ltd

#237-A5, Bommasandra Industrial Area, Bangalore-560099,
Marketing: +91 80 27836880, Email: marketing@emisindia.com