

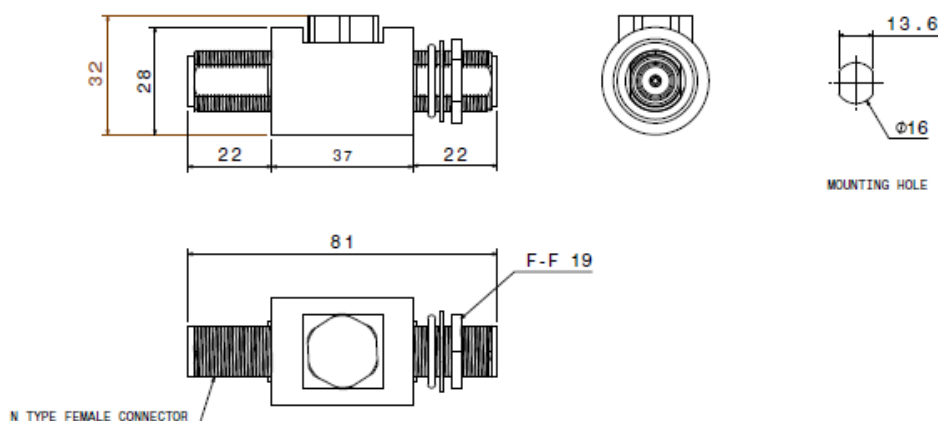
Coaxial EMP Surge Protector

EMISCOA100W

TECHNICAL SPECIFICATIONS

Frequency Range	:	DC - 2.5 GHz
Impedance	:	50 Ω
Connector (Input And Output)	:	N (F)
Input Power	:	100 Watt
Insertion Loss	:	<0.5 dB
Return Loss	:	> 20 dB
Max. Surge Current	:	20 kA, 8/20 μ s, Single Pulse
Lightning Impulse Current	:	2 kA, Single Pulse
Hemp Protection	:	As Per MIL-STD-188-125-1/2 (Charged Line Method)
Material	:	Aluminium/ Brass
Finish	:	Nickel Plating
Dimensions	:	81mm (L) X 28 mm (ϕ)
Weight	:	300gms (Approx)
Cut out Hole	:	ϕ 16

MECHANICAL DIAGRAM



BEL PART NO.: Co-axial (N) Filter

Ordering Code: EMP100NCA025GBELB

EMI Solutions Pvt. Ltd.

#237-A5, Bommasandra Industrial Area, Bangalore-560 099,
Marketing: +91 80 27836880, Email: marketing@emisindia.com

EMIS

Total solutions to EMI