

Description

These series range of double stage filters give superior performance when used in applications with low Impedance loads controlling pulsed, continuous and intermittent interference noise and where high levels Of mains borne interference are present.

Features

- Double stage filter
- Medical Version available
- Superior Performance
- Chassis mounting

Applications

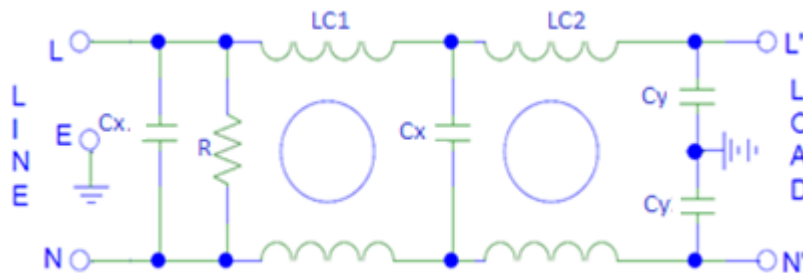
- Power Systems
- Electronic Equipment
- Frequency convertors
- Stepper motor drives
- UPS/Inverters



Approvals & Compliance



Typical circuit Diagram



Technical Specifications

Maximum Continuous Operating Voltage	: 250VAC
Operating Frequency	: 50/60Hz
Current ratings	: 1A to 100A @40°C
High Potential test voltage	: L to G 2250Vdc for 1 Minute L to L 1450Vdc for 1 Minute
Overload Capability	: 135% of Rated current for 15 minutes
Design Corresponding to	: UL1283, CSA 22.2 No.8-13 and IEC 60939
Flammability corresponding to	: UL 94 V-0
Temperature range	: -25°C to +85°C
Climatic Category	: 25/85/21

Image shown above is just for reference

Selection Table

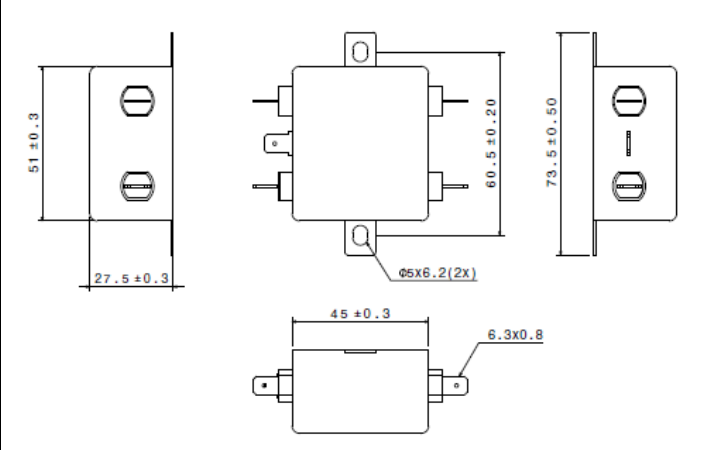
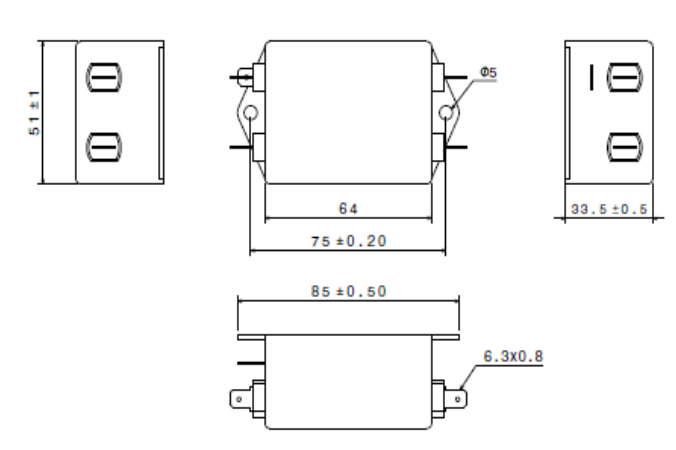
Part Number	Ordering Code	Rated Current @40°C	Leakage Current @250VAC/50Hz (mA)	Termination		Weight (Kgs)
						
MF410 - 01	S410000001S	1A	0.34	6.3 x 0.8		0.125
MF410 - 02	S410000002S	2A	0.34	6.3 x 0.8		0.125
MF410 - 03	S410000003S	3A	0.34	6.3 x 0.8		0.17
MF410 - 06	S410000006S	6A*	0.34	6.3 x 0.8		0.17
MF410 - 10	S410000010S	10A	0.34	6.3 x 0.8		0.17
MF410 - 15	S410000015S	15A	0.34	6.3 x 0.8		0.26
MF410 - 20	S410000020N	20A	0.73		M5	0.65
MF410 - 25	S410000025N	25A	0.73		M5	0.65
MF410 - 30	S410000030N	30A	0.73		M5	0.65
MF410 - 35	S410000035N	35A*	0.73		M5	1
MF410 - 40	S410000040N	40A	0.73		M5	1
MF410 - 50	S410000050N	50A	0.73		M6	2
MF410 - 60	S410000060N	60A**	0.73		M6	3.5
MF410 - 100	S410000100N	100A**	0.73		M8	3.5

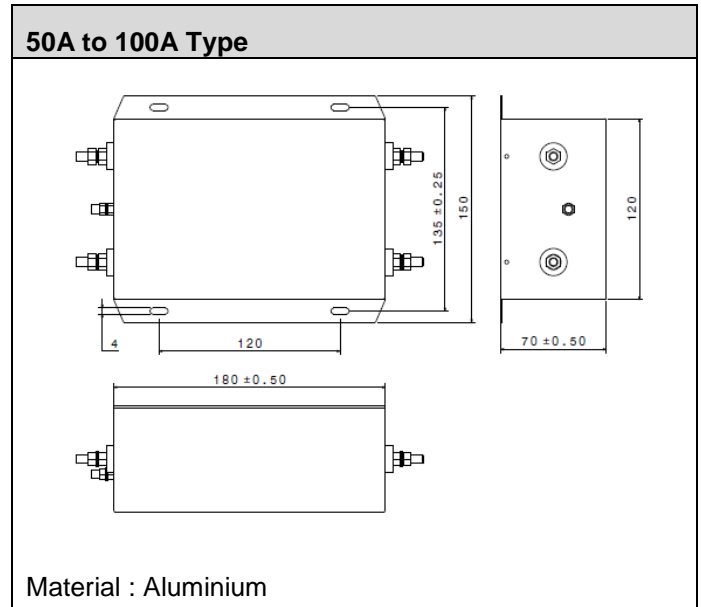
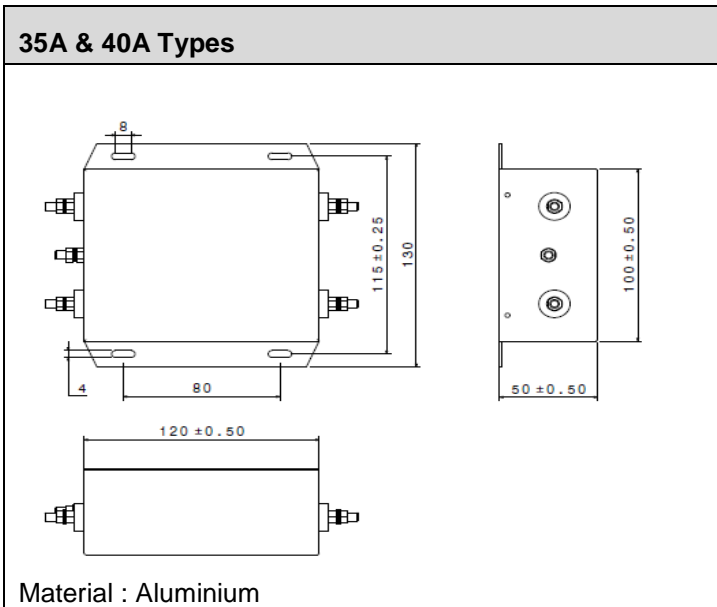
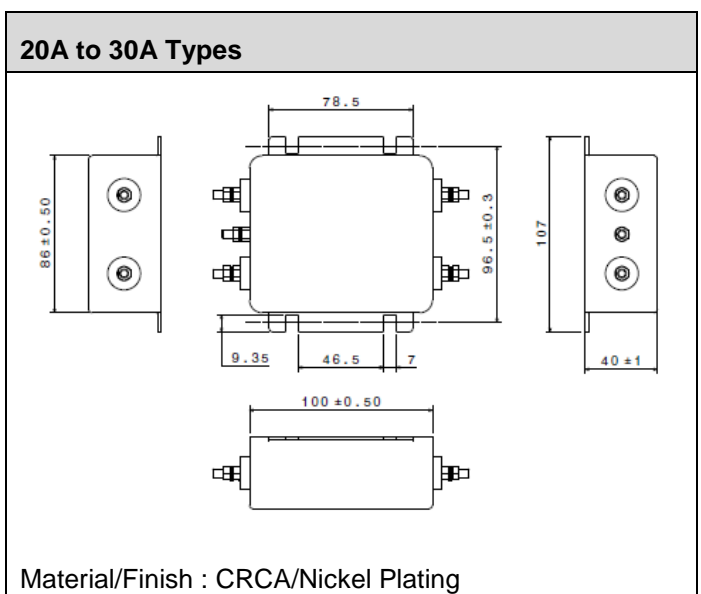
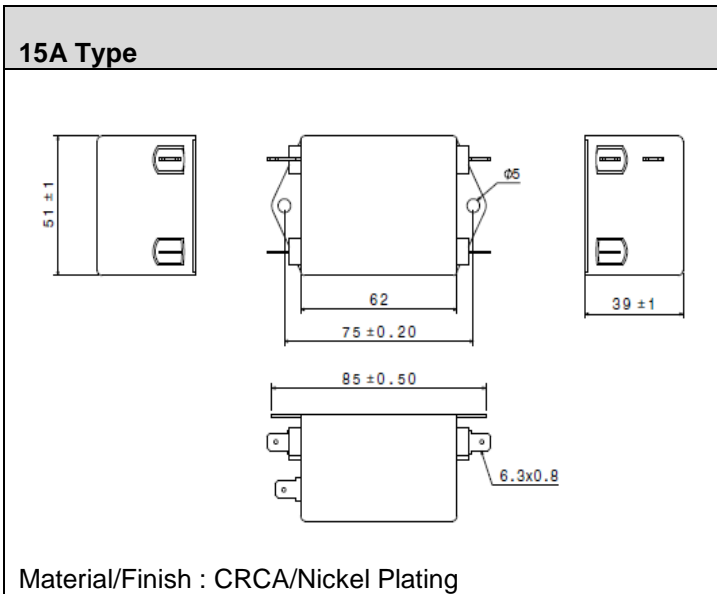
Note: * not covered under NEMKO

** not covered under CSA,NEMKO

Customized filters are provided on request.

Mechanical Drawing

1A & 2A Types	3A to 10A Types
 <p>Material/Finish : CRCA/Nickel Plating</p>	 <p>Material/Finish : CRCA/Nickel Plating</p>



Thread Size	M5	M6	M8	M10
Recommended Torque (Nm)	2-3	3.5-4	10-14	15-17

All dimensions in mm; Tolerances according to ISO2768-m

Insertion Loss – (Common Mode)

