

Data Sheet

RC filter – Single Phase

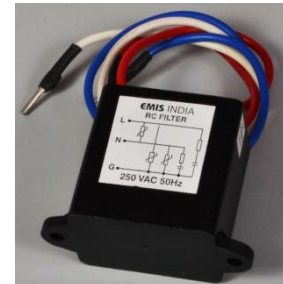


Description

Voltage Spike Suppressor for circuit with Relays/Contactors and high speed switching devices.

Applications

Electronic Equipments
Industrial Automation
Drives

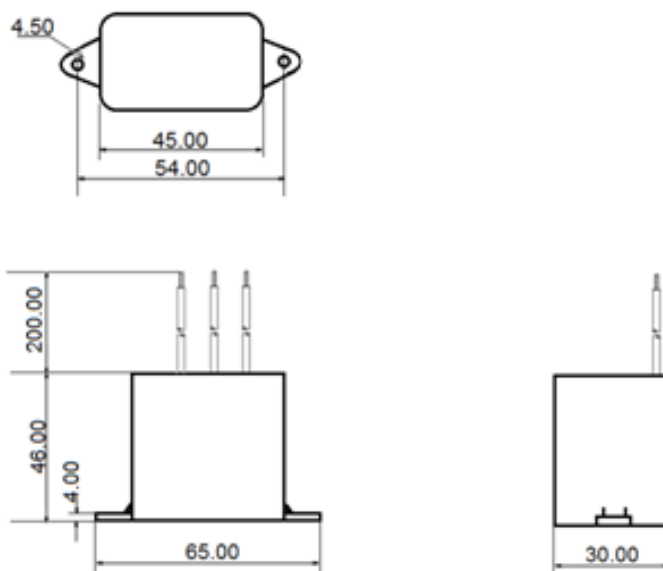


Model Number	Ordering Code	Termination
Single Phase RC Filter	SPRCS1PH000003W	Cable

Technical Specifications

Maximum Continuous Operating Voltage	: 250VAC
No. of Lines	: L,N & E
Temperature range	: -25°C to +85°C
Max. Surge Current	: 6.5KA @8/20μs
Flammability corresponding to	: UL 94 V-0
Enclosure	: PVC

Mechanical Drawing



EMI Solutions Private Ltd

#237-A5, Bommasandra Industrial Area, Bangalore-560099,
Marketing: +91 80 27836880, Email: marketing@emisindia.com