

Description

Voltage Spike Suppressor for circuit with Relays/Contactors and high speed switching devices.

Applications

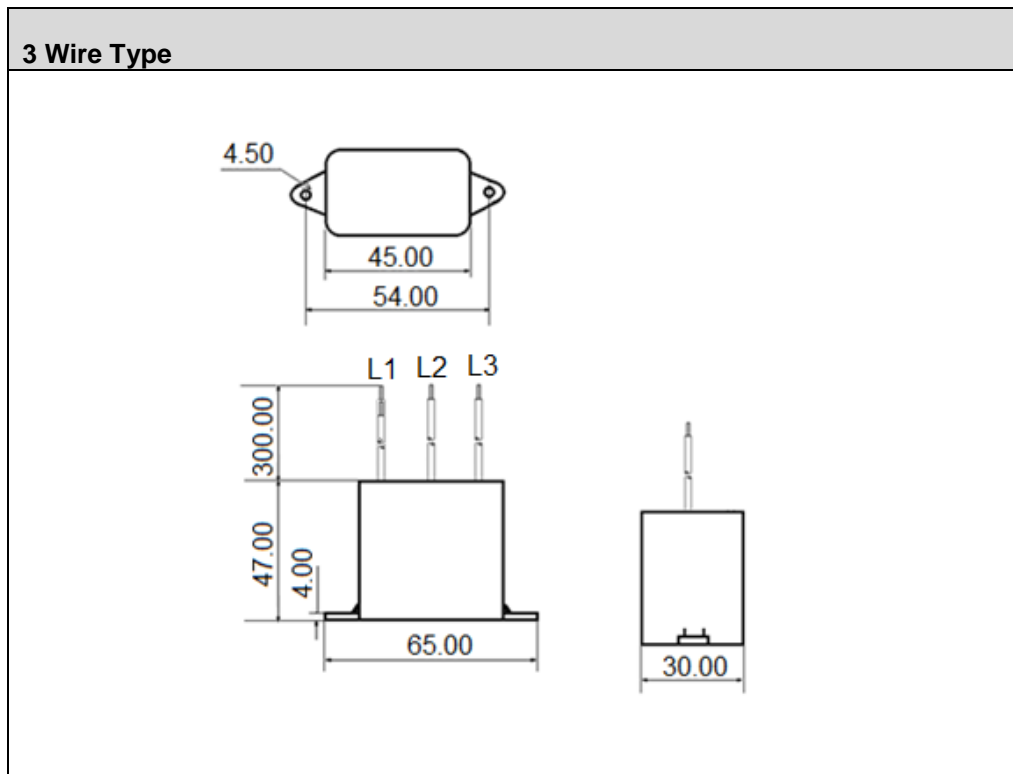
- Industrial Automation
- Drives
- Electronic Equipment

Model Number	Ordering Code	No. of Lines	Termination
RC Filter – 3W	SPRCS3PH000003W	L1,L2,L3	Cable
RC Filter – 4W	SPRCS3PH000004W	L1,L2,L3 & E	Cable
RC Filter – 5W	SPRCS3PH000005W	L1,L2,L3,N & E	Cable

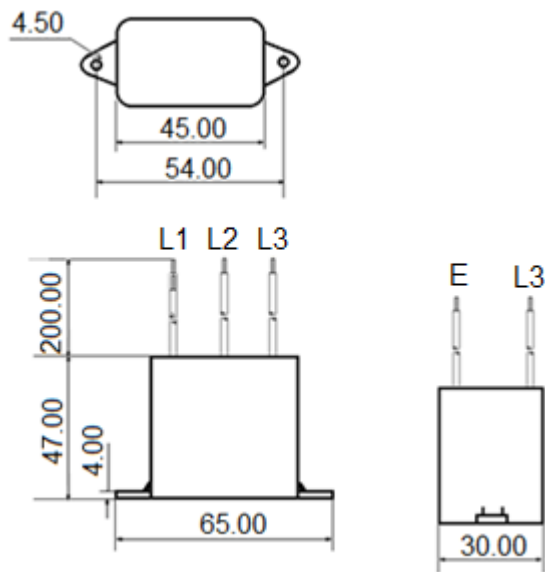
Technical Specifications

Maximum Continuous Operating Voltage	: 440VAC
Temperature range	: -25°C to +85°C
Max. Surge Current	: 6.5KA @8/20μs
Flammability corresponding to	: UL 94 V-0
Enclosure	: PVC

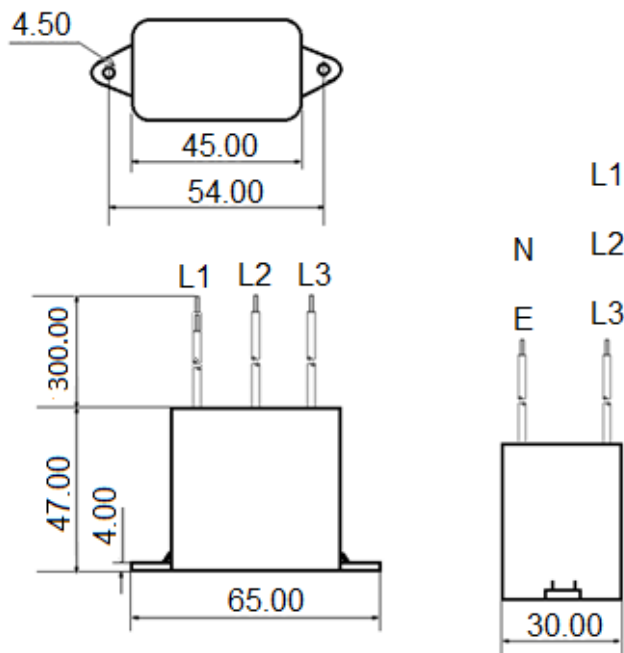
Mechanical Drawing



4 Wire Type



5 Wire Type



EMI Solutions Private Ltd

#237-A5, Bommasandra Industrial Area, Bangalore-560099,

Marketing: +91 80 27836880, Email: marketing@emisindia.com