

Single Phase EMI Filter – MF320-2D IEC Inlet with Fuse & Switch Type

Description

These series range of IEC Inlet type filters with fuse and Switch are designed to suppress undesirable electrical disturbances in Power Lines. They limit the amplitude of interfering voltages on AC power lines and prevent them from propagating into or out of the filtered equipment.

Features

- Integral IEC Connector
- Excellent performance/size ratio
- Single/Double Fuse Option
- Rated currents up to 10 A
- Double Pole/Single Throw Switch
- Medical versions available
- High conducted attenuation performance



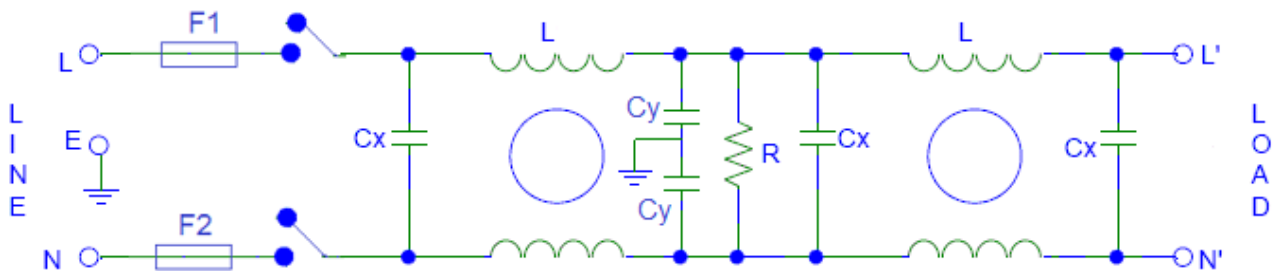
Applications

- Medical Application
- Electrical & Electronic Equipment's
- Testing & Measurement Equipments
- Household equipment
- Rack mounting equipment

Approval & Compliance



Typical circuit Diagram



Technical Specifications

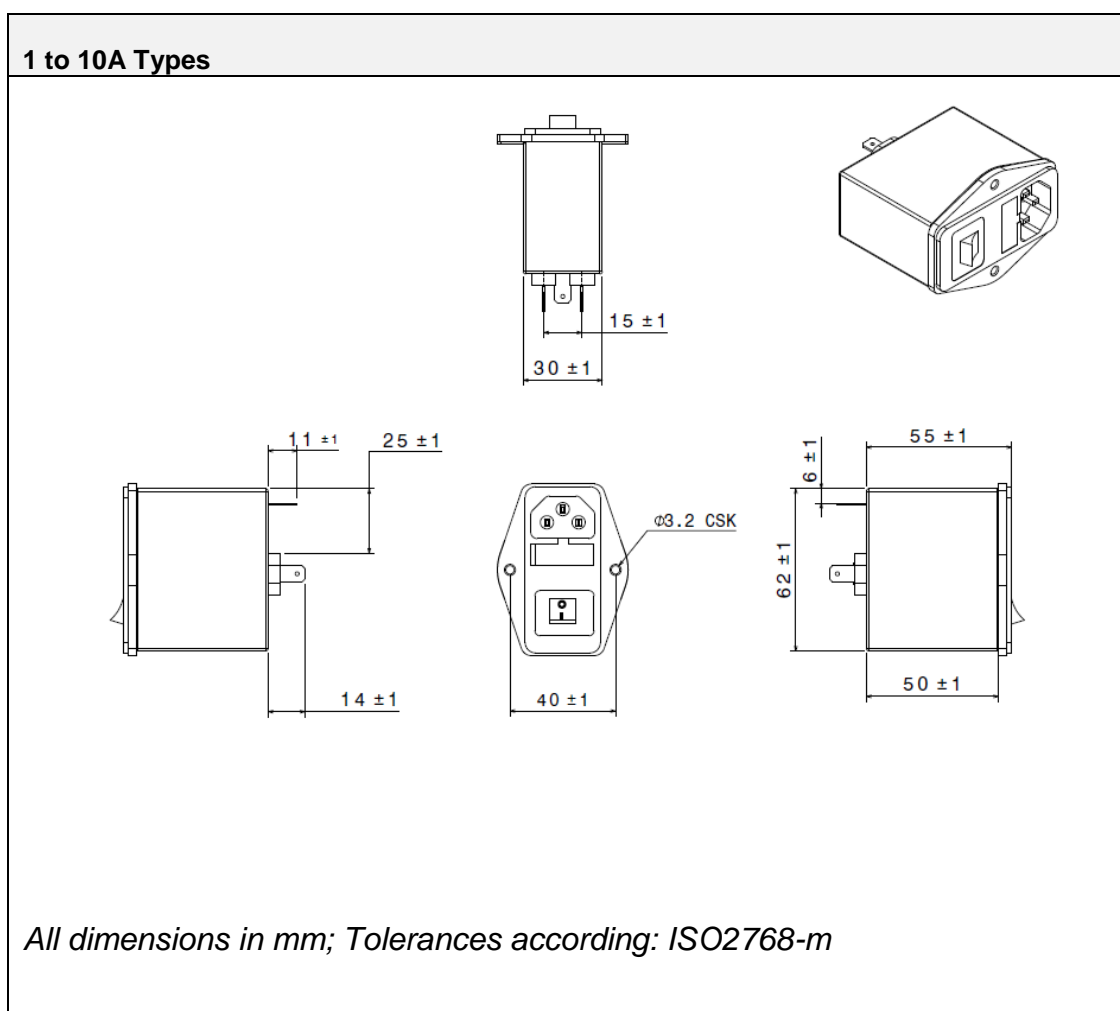
Maximum Continuous Operating Voltage	: 250VAC
Operating Frequency	: 50/60Hz
Current ratings	: 1A to 10A @40°C
High Potential test voltage	: L to G 2250VDC for 1 Minute L to L 1450VDC for 1 Minute
Overload Capability	: 135% of Rated current for 15 minutes
Design Corresponding to	: UL1283, CSA 22.2 No.8-13 and IEC 60939
Flammability corresponding to	: UL 94 V-0
Temperature range	: -25°C to +85°C
Climatic Category	: 25/85/21

Selection Table

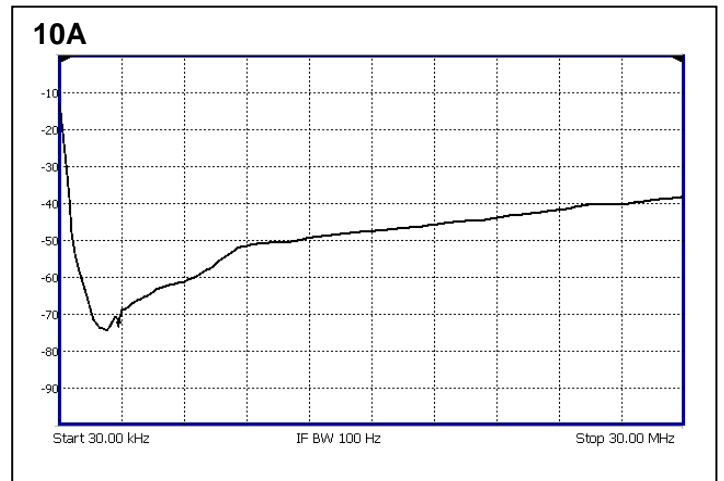
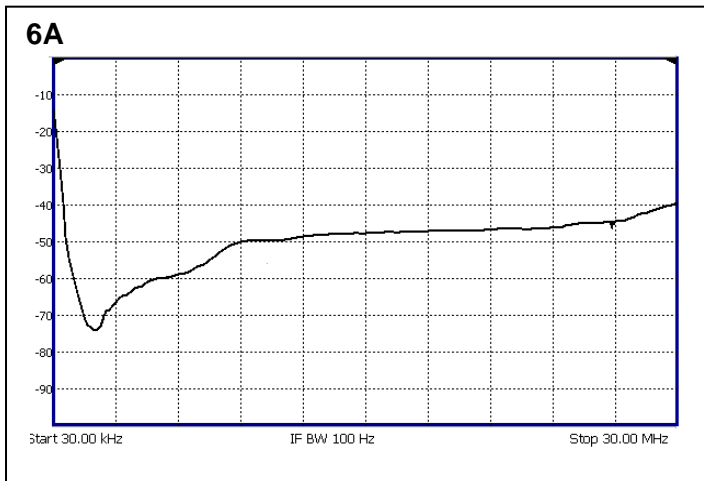
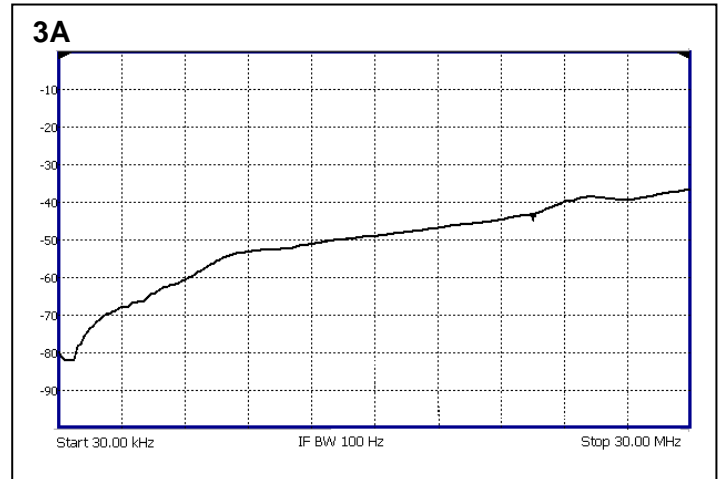
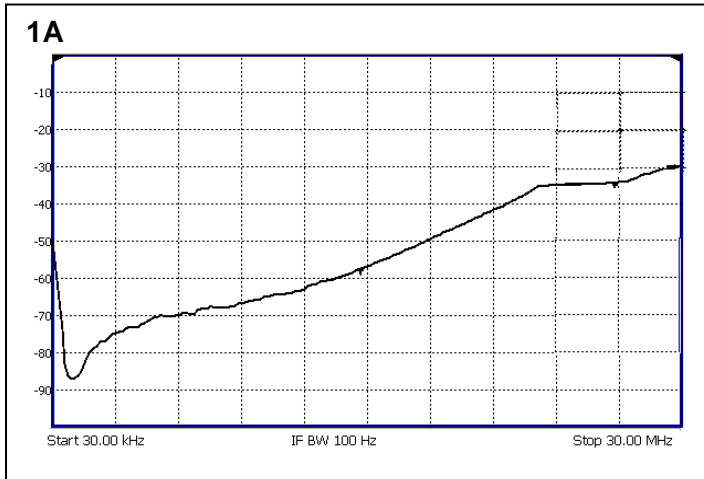
Part Number	Ordering Code	Rated Current @40°C	Leakage Current @250VAC (mA)	Termination	Weight (Grams)
MF320-2D - 01	S3202D0001S	1A	0.34	Fastens 6.3 X 0.8mm	200
MF320-2D - 03	S3202D0003S	3A	0.34	Fastens 6.3 X 0.8mm	200
MF320-2D - 06	S3202D0006S	6A	0.34	Fastens 6.3 X 0.8mm	200
MF320-2D - 10	S3202D0010S	10A	0.85	Fastens 6.3 X 0.8mm	200

Note: Customized filters are provided on request.

Mechanical Drawing



Insertion Loss



EMI Solutions Private Ltd.
#237-A5, Bommasandra Industrial Area, Bangalore-560099,
Marketing: +91 80 27836880, Email: marketing@emisindia.com