

Three Phase dv/dt Reactor

Description

These series range of dv/dt reactors are designed to reduce drive output voltage and thus increasing motor service life. These reactors provide efficient motor protection.

Features

- ▶ dv/dt reduction
- ▶ Reduction of voltage stress at the motor
- ▶ Protection of motor coil insulation from premature aging and destruction
- ▶ Easy to install
- ▶ Compact Design
- ▶ Comply with Industry standards



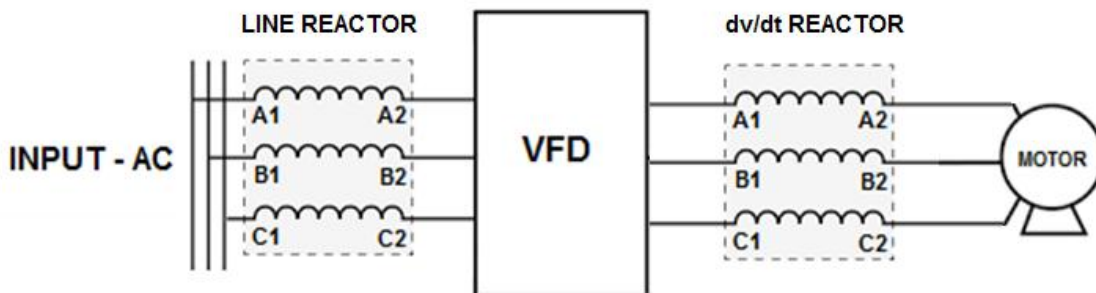
Applications

- ▶ Motor Drive application with short cable length
- ▶ Frequency Converters for Motor Drive like Elevators, pumps.
- ▶ Machinery comprise of Servo motors.

Technical Specifications

Maximum Continuous Operating Voltage	: 400VAC
Operating Frequency	: 50Hz
Current ratings	: 4A to 100A
Impedance	: 0.8% at 400VAC, 50Hz and rated current
Switching frequency	: 2 to 16KHz
High Potential test voltage	: 3000 VAC for 2 sec
Overload Capability	: 1.5 times of rated current for 1 Minute once per hour
Design Corresponding to	: EN 61558-2-20, EN 60076-6
Temperature range	: -25°C to +85°C
Climatic Category	: 25/85/21
Type of Cooling	: Natural Cooling AN
Protection Category	: IP 00
Insulation Class	: Class F
Motor Cable length	: 30 meters max.

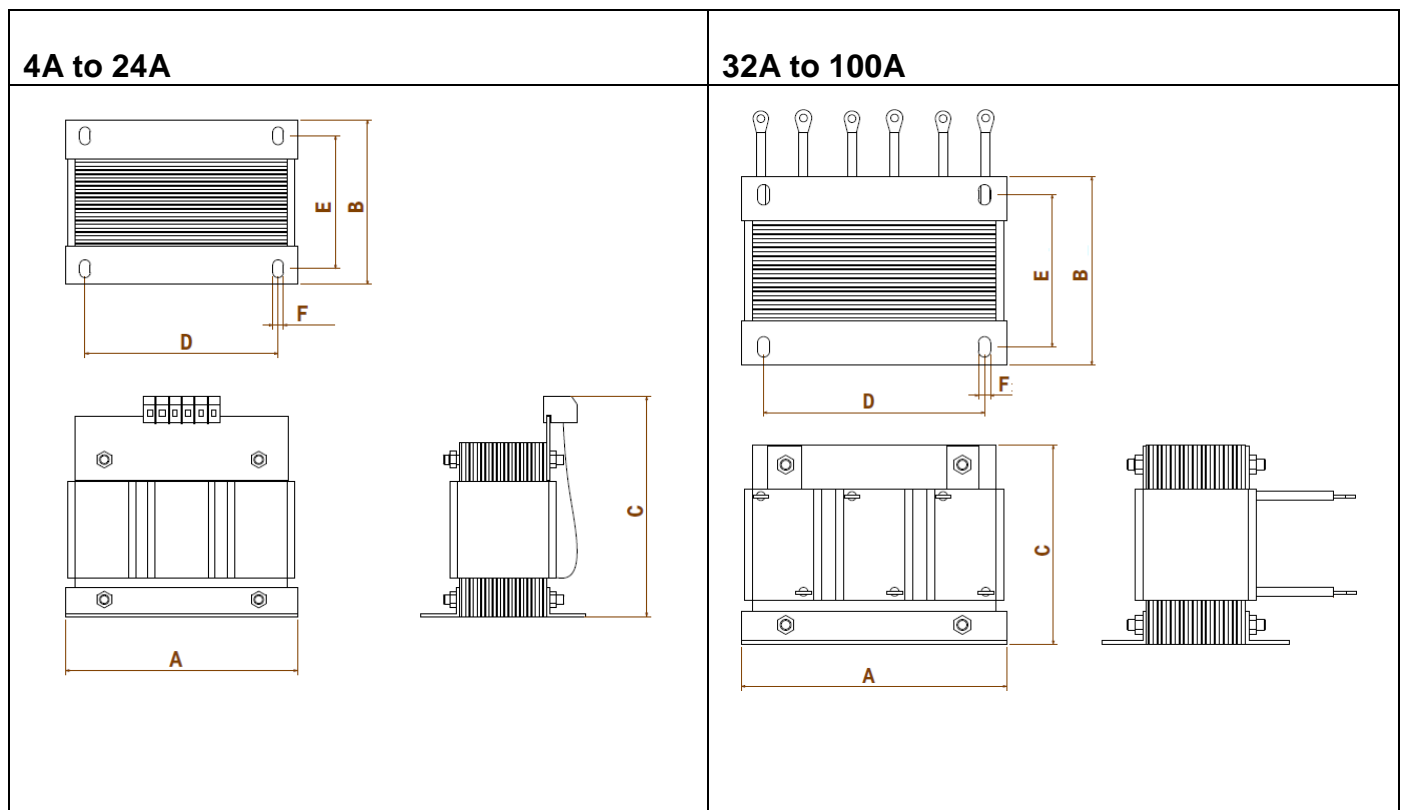
Connection Diagram



Technical Data

Part Number	Rated Current @40°C	Rated Power @400V (KW)	Inductance (mH)	Termination
3D00410470	4A	1.5	1.47	Connector
3D00600980	6A	2.2	0.98	Connector
3D00800740	8A	3	0.74	Connector
3D01000590	10A	4	0.59	Connector
3D01400420	14A	5.5	0.42	Connector
3D01700346	17A	7.5	0.346	Connector
3D02400245	24A	11	0.245	Connector
3D03200184	32A	15	0.184	Lugs
3D03700159	37A	18.5	0.159	Lugs
3D04500131	45A	22	0.131	Lugs
3D06000098	60A	30	0.098	Lugs
3D07200082	72A	37	0.082	Lugs
3D09000065	90A	45	0.065	Lugs
3D10000058	100A	55	0.058	Lugs

Mechanical Dimensions



Mechanical Dimensions

Part Number	A(±2)	B(±5)	C(±5)	D(±2)	E(±5)	F(±0.25)
3D00410470	124	70	130	109	50	12x6
3D00600980	124	70	130	109	50	12x6
3D00800750	124	70	130	109	50	12x6
3D01000590	124	70	130	109	50	12x6
3D01400420	140	72	130	124	52	12x6
3D01700346	140	72	130	124	52	12x6
3D02400245	140	77	130	124	57	12x6
3D03200184	144	72	140	129	52	12x6
3D03700159	144	85	140	129	65	12x6
3D04500131	144	98	140	129	78	12x6
3D06000098	144	98	140	129	78	12x6
3D07200082	144	110	140	129	90	12x6
3D09000065	200	82	165	186	62	15x8.5
3D10000058	200	82	165	186	62	15x8.5

**All dimensions are in mm*